



TME-UHF PRO

Security & Automation

LONG RANGE WIEGAND SMART BARRIER SYSTEM

UHF10F Pro are TimeTec third-generation UHF readers, with much stable performance, longer reading distance, and faster recognition speed.

The UHF reader is equipped with the passive UHF card function, which could be widely used in Vehicle Management and Personnel Management applications. The product also meets the CE, FCC technology requirements.



Long Distance Detection

The reading range up to 12 meters (adjustable), an excellent range to read RFID signal from inside any vehicles



Two Working Modes

The default is set to 'always read' but it is configurable to 'trigger read' as required



Waterproof Casing

It comes with a certified IP66 waterproof standard, suitable for outdoor installation, protected from high pressure water jets from any direction.



CE & FCC Certified Standard

TME UHF10-F PRO is CE and FCC international certified, safe to be installed globally



SIRIM Certified (Malaysia)

TimeTec UHF10-F PRO is SIRIM certified for usage in Malaysia market



Perfect Parking Solution

The reader can be integrated with Controller, the boom gate system for a perfect parking system



Integrated with iNeighbour System

Seamlessly integrated with iNeighbour Smart Community System for a perfect residential barrier gate system



UHF Anti-Torn Sticker

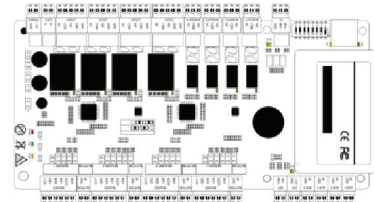
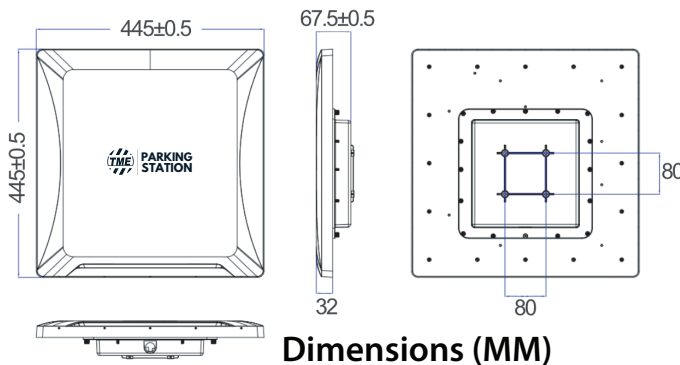
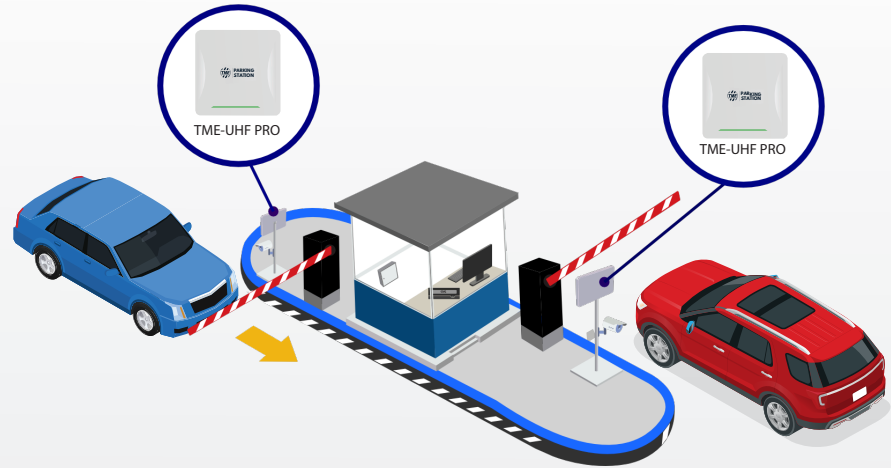
Read UHF anti-torn RFID stickers for hands-free access system and achieve better automation



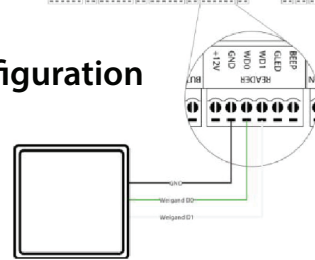
Diagram for illustration only



SYSTEM DIAGRAM



Configuration



SPECIFICATIONS



MODEL	TME UHF Pro
READING DISTANCE	10 to 20 meters (Hand-held test) (Actual scenario test is around 8m)
ANTENNA GAIN	12dBi
DIMENSIONS (MM)	445 x 445 x 67.5
WEIGHT	3kg
POWER	1.2 - 4.5W
FREQUENCY	E: 865MHz - 868MHz, F: 902MHz - 906MHz (adjustable)
COMMUNICATION	Wiegand; RS485; USB con guration parameters
INTERFACE	(Wiegand, RS485 requires one of two options)
INTERFACE PROTOCOL	EPC global UHF Class 1 Gen 2 / ISO 18000-6C
WORKING MODE	Read Always (Default) and Read by Trigger
OUTPUT POWER	19dBm - 30dBm
PROTECTION LEVEL	IP66
WORKING VOLTAGE	DC 9-15V
WORKING TEMPERATURE AND HUMIDITY	-20°C - 65°C; <85%
STORAGE TEMPERATURE AND HUMIDITY	-20°C - 80°C; <85%
RS485 COMMUNICATION	Optional baud rate (9600, 19200, 38400, 57600, 115200); the default is 115200

